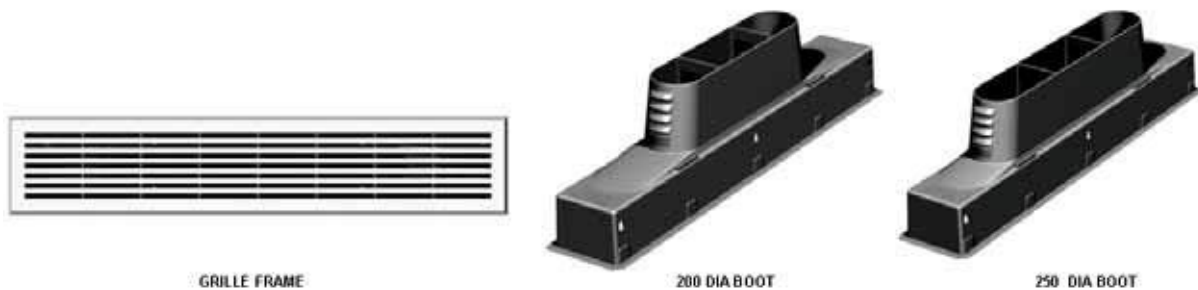


ADVANTAGE AIR®

PLASTIC DIFFUSERS & GRILLES

BABY LINEAR GRILLE



FEATURES

- One piece construction of the diffuser eliminates unsightly joints.
- Attractive molded diffuser is scratch resistant and will not corrode or deteriorate with age.
- Fast, easy installation.
- Significantly lower cost than aluminum diffusers.
- Will fit commercial ceiling grids.
- Easy to clean removable grille frame.
- Lightweight ridged construction.
- Standard ceiling white.
- Paintable.
- Boots available in 200 DIA and 250 DIA connections.

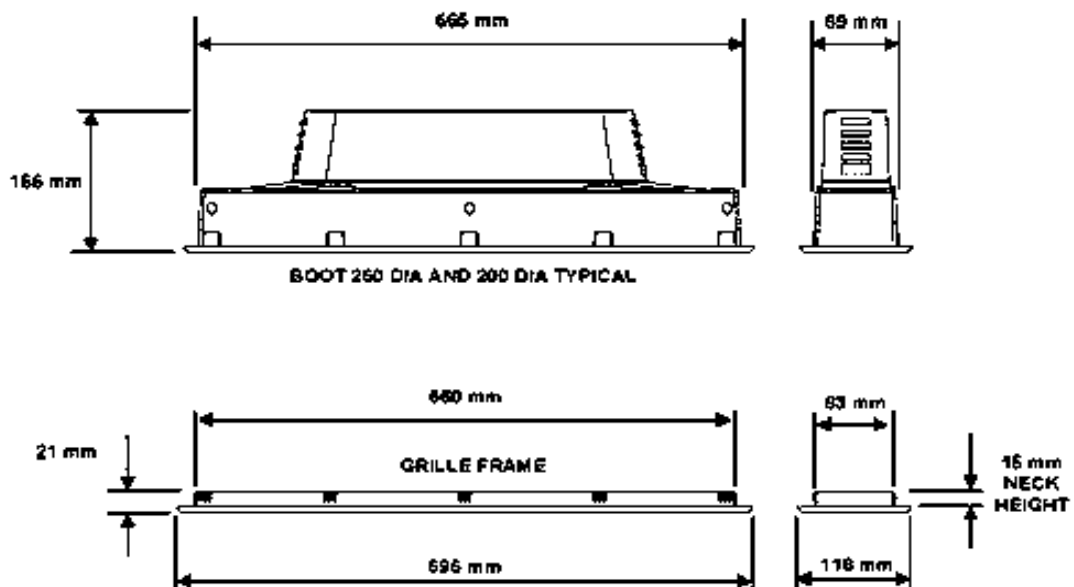
CONSTRUCTION

- The diffuser is molded from white ABS plastic.
- The boot/adaptor black ABS plastic.
- The frame can be supplied separately for bulkhead, wall and door installations.
- The boot clips are constructed from Acetyl plastic.

APPLICATIONS

- Ideal for light commercial reverse cycle air conditioning systems.
- Suitable for ceiling, commercial T-Bar, bulkhead, and wall
- Suggested cut out 90mm x 570mm for boots. Grille only installations will require a smaller cut-out hole for grille neck.

DIMENSIONS



PLASTIC DIFFUSERS & GRILLES

BABY LINEAR GRILLE PERFORMANCE

