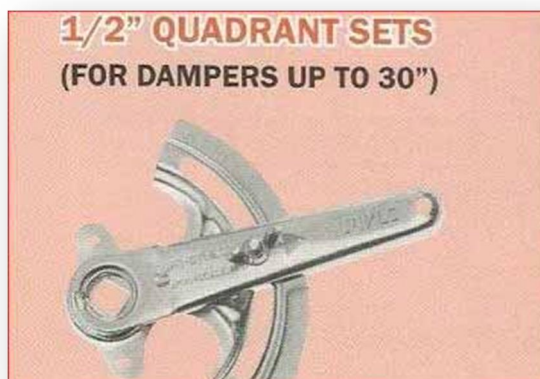


ADVANTAGE AIR®

DAMPER HARDWARE

TECHNICAL

Heavy gauge plated steel quadrants with wing nuts for locking of damper. Frame marked to indicate exact position of damper



MODEL KS 12

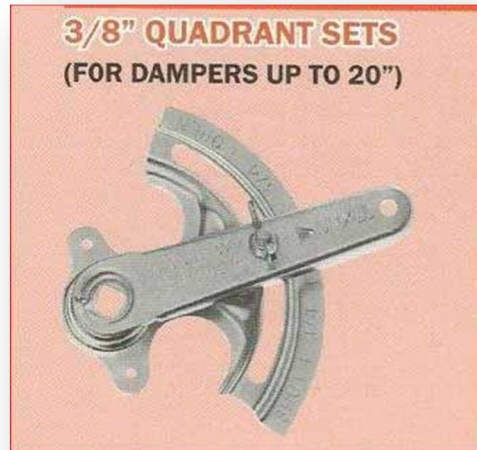
1/2" QUADRANT SETS – (FOR DAMPERS UP TO 30")

Suitable for dampers up to 760mm.
Set consists of:

- 13mm Quadrant
- KP 10 R Round end bearing
- KP 10 S Square end bear

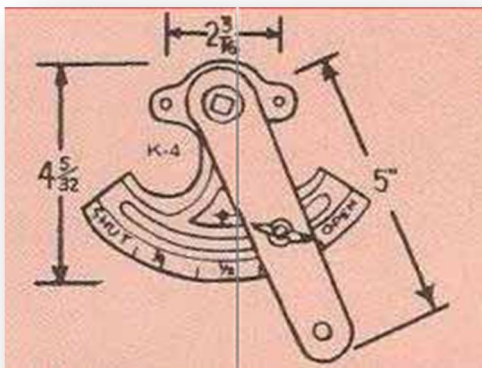
DAMPER HARDWARE

MODEL KS 385



These heavy gauge plated steel quadrants are designed with excellent handle action as well as quick wing nut adjustment and locking of the damper. The frame is marked to show the exact position of the damper.

For use on square or round ducts.



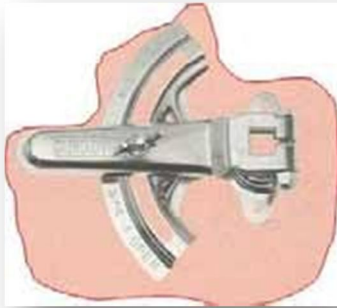
Suitable for dampers up to 500mm. Set consists of:

- 10mm Quadrant
- KP 7 Spring end bearing
- KP 9 S Square end bearing

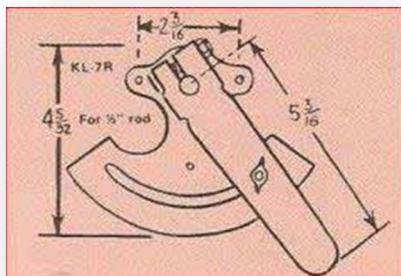
ADVANTAGE AIR®

DAMPER HARDWARE

KL7



KL7R



KL7R SECTION VIEW

1/2" SHAFT LOC QUADRANT SETS - (FOR DAMPERS UP TO 30")

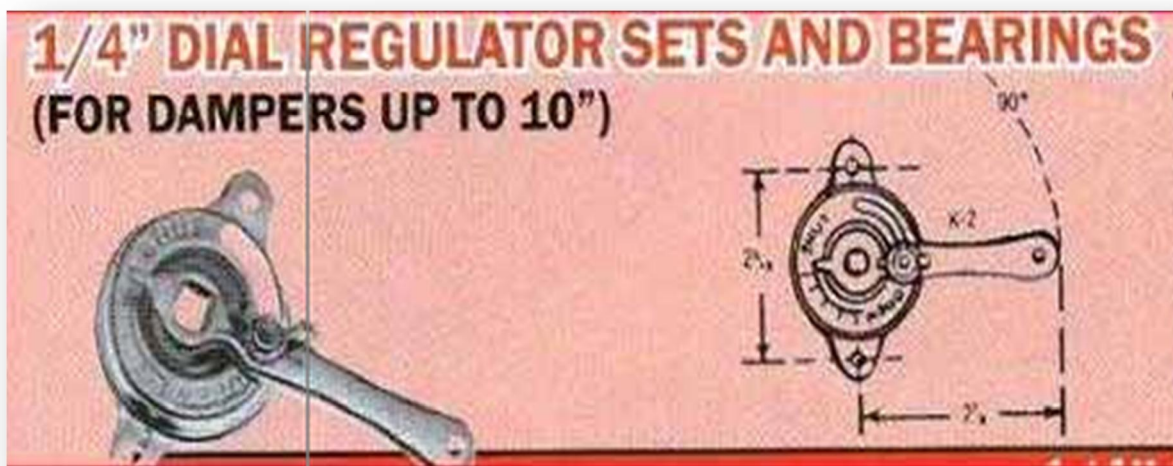
"Shaft Loc" Quadrants are stamped of heavy gauge steel and clearly indicate the position of the damper. The quadrant handle (available for either the 1/2" square or round shafts) is unique in that it locks the shaft of the damper to it by means of a powerful friction holding device strong enough to cut into the damper shaft eliminating damper rattle. The shaft is easily locked with 1/2" open end wrench. Available for square and round ducts.

1/2" SHAFT LOC QUADRANT SETS		
ITEM#	MODEL	SHAFT DESCRIPTION
8063	KL7	1/2" Square loc quadrant
8064	KL7R	1/2" Round loc quadrant
PACKED 100 PER CARTON		

DAMPER HARDWARE

MODEL KS 145

These heavy gauge plated steel regulators are among the most popular on the market. They minimize air leakage and reduce rattle. A wing nut locks the damper in position, yet permits quick readjustment. The dial shows the damper position at a glance. The regulator mounts easily on round or square ducts.



Suitable for dampers up to 250mm.
Set consists of:

- 6mm Regulator
- KP 6 Spring end bearing
KP 8 S Square end bearing