

## PLASTIC DIFFUSERS & GRILLES

## ROUND DIFFUSER

### FEATURES

- Available in 4 different sizes:
- 150 dia
- 200 dia
- 250 dia
- 300 dia
- Stylish design
- Easily adjusted diffuser opening
- Low cost
- Lightweight rigid construction
- Easy to clean.
- Scratch resistant surface.
- Quiet.
- Snap action clips for fast and easy installation.
- Tapered neck for easy duct connection

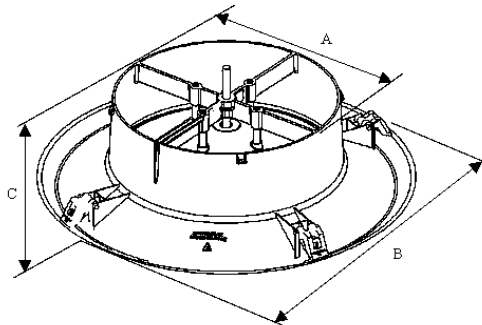
### CONSTRUCTION

- These outlets are injection molded from white ABS plastic and have integrated spring loaded clips

### APPLICATIONS

- Ideal for commercial reverse cycle air-conditioning, heating and ventilation applications.

### DIMENSIONS

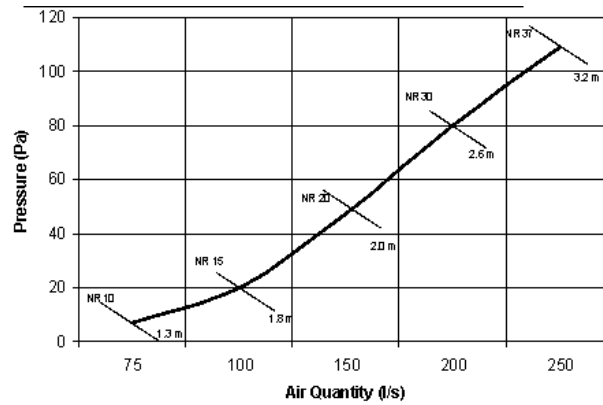


GRILLE SIZE	A NOMINAL NECK SIZE (mm)	B FLANGE SIZE (mm)	C HEIGHT (mm)	HOLE DIAMETER (mm)
150 DIA	145	268	93	231
200 DIA	200	328	100	284
250 DIA	250	390	102	356
300 DIA	300	436	102	398

## PLASTIC DIFFUSERS & GRILLES

## ROUND DIFFUSER PERFORMANCE DATA

### 200 DIA SUNLINE DIFFUSER



### 250 DIA SUNLINE DIFFUSER

